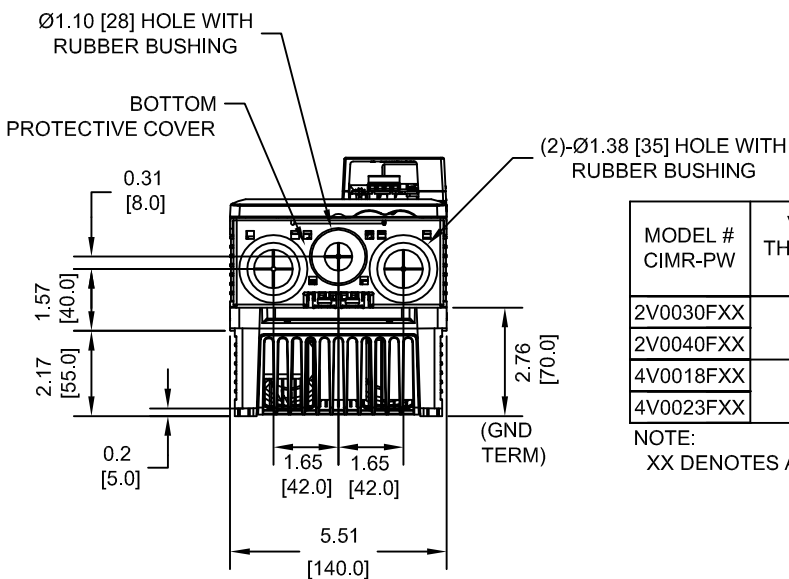
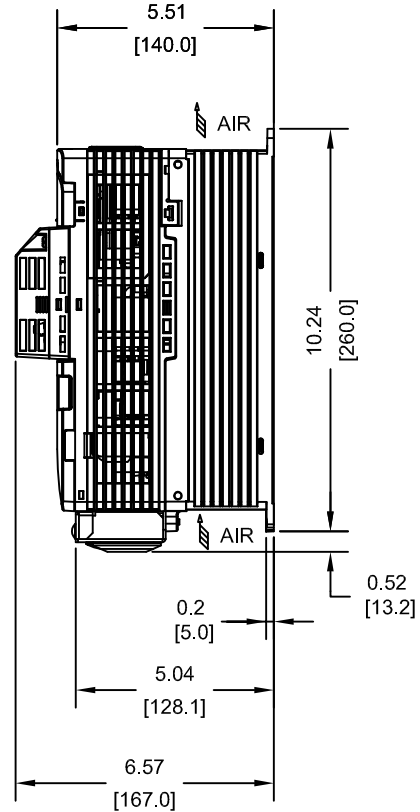
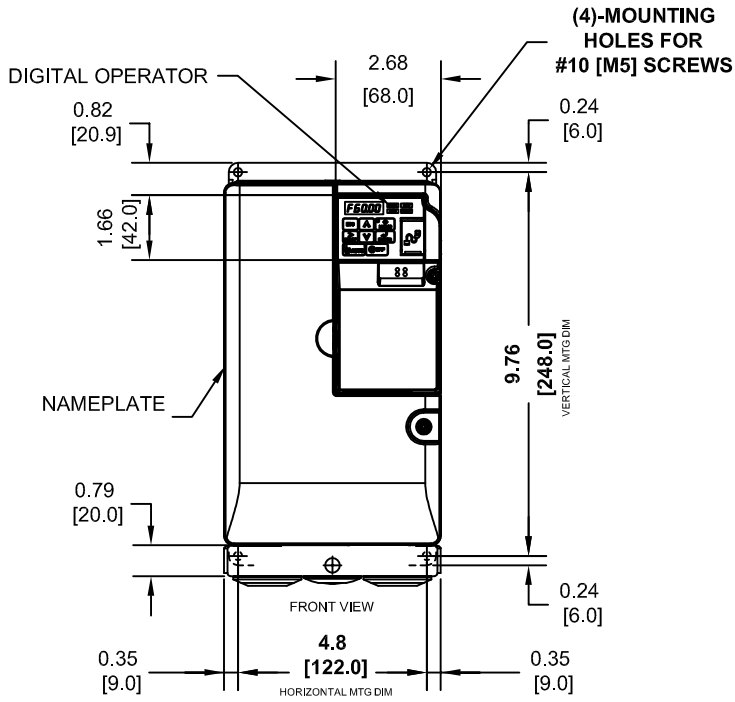


NOTE:
PROTECTIVE COVERS ARE FACTORY INSTALLED TO THE TOP AND BOTTOM OF THE DRIVE TO MEET IP20 & NEMA TYPE 1 REQUIREMENTS, RESULTING IN AN AMBIENT TEMPERATURE RATING OF 104F(40C). REMOVE THESE COVERS WHEN OPERATING THE DRIVE WITHIN A PANEL TO OBTAIN THE MAXIMUM SURROUNDING AIR TEMPERATURE RATING OF 122F(50C). REMOVING THESE COVERS RESULTS IN AN ENCLOSURE RATING OF IP00.



MODEL # CIMR-PW	VOLTAGE THREE PHASE (VAC)	OUTPUT CURRENT (A)	WEIGHT LBS (Kg)	HEAT LOSS (W) (Fc=2kHz)		
				INT	EXT	TOT
2V0030FXX	208/240	30.0	8.4 (3.8)	88.9	246.4	335.3
2V0040FXX		40.0	8.4 (3.8)	112.8	266.7	379.5
4V0018FXX	380/480	17.5	8.4 (3.8)	80.1	181.2	261.3
4V0023FXX		23.0	8.4 (3.8)	107.7	213.4	321.1

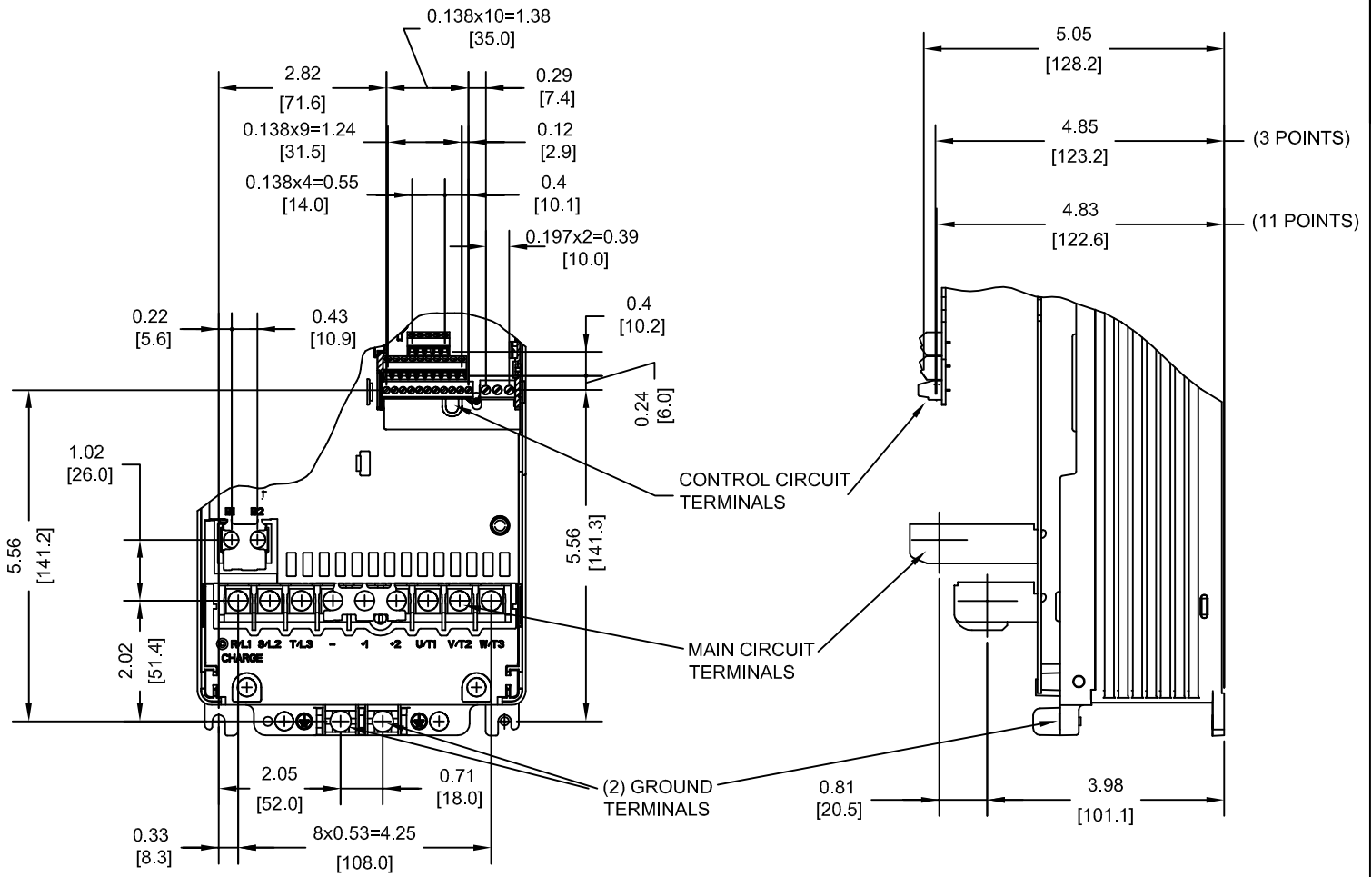
NOTE:
XX DENOTES AA-ZZ

INT=INTERNAL COMPONENTS
EXT=EXTERNAL HEATSINK
TOT=TOTAL

FOR ADDITIONAL DETAILS AND SPECIFICATIONS, CONSULT MANUAL

TOLERANCES / REFERENCES:			DRAWN: J. MATTAS	DATE 10-29-14	TITLE: IQ PUMP MICRO DIMENSION DRAWING		
			CHECKED: J. PIOTROWSKI	DATE 10-31-14	FRAME SIZE 14		
		THIS DOCUMENT AND INFORMATION CONTAINED IN IT ARE CONFIDENTIAL, AND CANNOT BE COPIED OR DISCLOSED IN WHOLE OR IN PART WITHOUT THE EXPRESS WRITTEN CONSENT OF YASKAWA AMERICA, INC.		TECH: J. BORJA	DATE 11-3-14	NEMA TYPE 1 ENCLOSURE	
				APPROVED: J. CAIRO	DATE 11-18-14	SIZE A	REVISION R00
UNITS: IN[mm]	SCALE: 1:5			ORIGINAL DESIGN: -	DATE -	PAGE 1 of 4	
					DRAWING #: DD.IQPM.FR14.N1		

TERMINAL AND WIRING DETAILS (SCALE 1:3)



TERMINAL AND WIRE SPECIFICATIONS FOR MAIN CIRCUIT AND GROUND

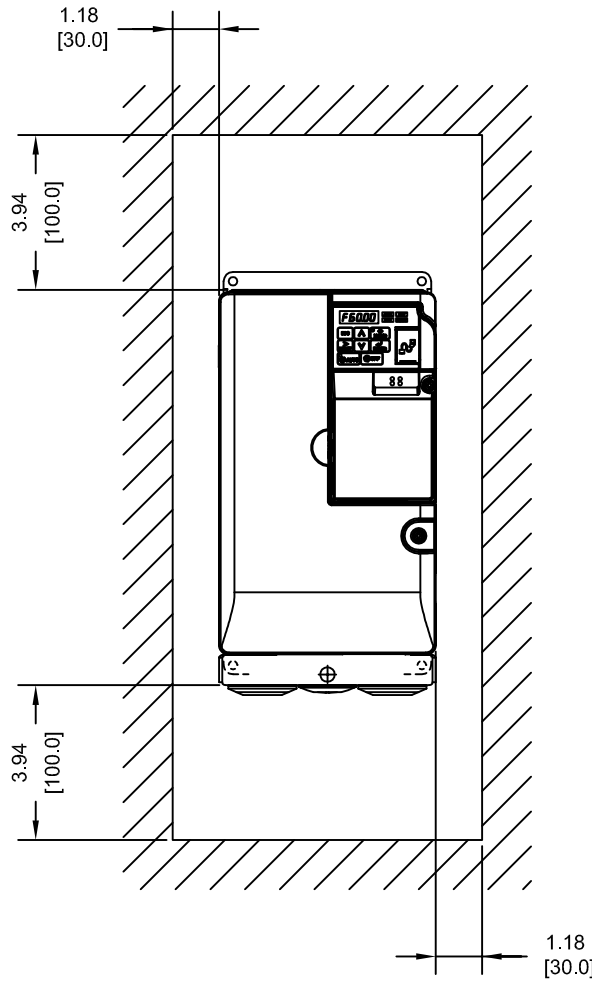
MODEL # CIMR-PW	TERMINAL SYMBOL	TERMINAL SCREW	CLAMPING TORQUE lb.in.(N.m.)	WIRE RANGE AWG(mm)
2V0030F	R/L1, S/L2, T/L3, ⊖, ⊕1, ⊕2, U/T1, V/T2, W/T3	M4	20.4 (2.3)	12-6 (3.5-14)
	B1, B2	M4	20.4 (2.3)	12-10 (3.5-5.5)
	⊕	M5	17.7-22.1 (2.0-2.5)	10-6 (5.5-14)
2V0040F	R/L1, S/L2, T/L3, ⊖, ⊕1, ⊕2, U/T1, V/T2, W/T3	M4	20.4 (2.3)	12-6 (3.5-14)
	B1, B2	M4	20.4 (2.3)	12-10 (3.5-5.5)
	⊕	M5	17.7-22.1 (2.0-2.5)	10-6 (5.5-14)
4V0018F	R/L1, S/L2, T/L3, ⊖, ⊕1, ⊕2, U/T1, V/T2, W/T3	M4	20.4 (2.3)	12-6 (3.5-14)
	B1, B2	M4	20.4 (2.3)	12-10 (3.5-5.5)
	⊕	M5	17.7-22.1 (2.0-2.5)	10-6 (5.5-14)
4V0023F	R/L1, S/L2, T/L3, ⊖, ⊕1, ⊕2, U/T1, V/T2, W/T3	M4	20.4 (2.3)	12-6 (3.5-14)
	B1, B2	M4	20.4 (2.3)	12-10 (3.5-5.5)
	⊕	M5	17.7-22.1 (2.0-2.5)	10-6 (5.5-14)

NOTE: RATINGS APPLY TO BOTH FACTORY AND FIELD WIRING
REFER TO APPLICABLE CODES FOR PROPER WIRE TYPE AND SIZE

FOR ADDITIONAL DETAILS AND SPECIFICATIONS, CONSULT MANUAL

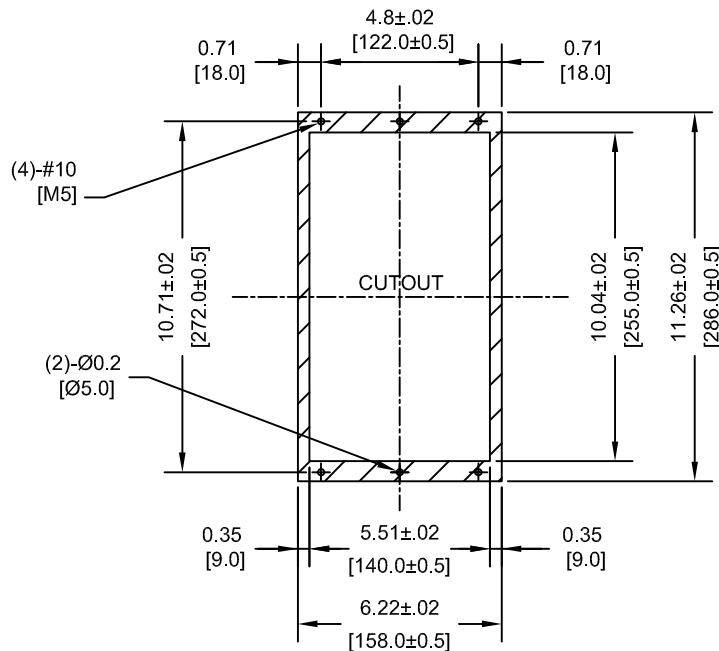
TOLERANCES / REFERENCES:			DRAWN: J. MATTAS CHECKED: J. PIOTROWSKI TECH: J. BORJA APPROVED: J. CAIRO ORIGINAL DESIGN: -	DATE 10-29-14 DATE 10-31-14 DATE 11-3-14 DATE 11-18-14 DATE -	TITLE: IQ PUMP MICRO DIMENSION DRAWING FRAME SIZE 14 NEMA TYPE 1 ENCLOSURE 2V0030F, 2V0040F, 4V0018F, 4V0023F SIZE A REVISION R00 PAGE 2 of 4
UNITS: IN[mm]	SCALE: BY VIEW		THIS DOCUMENT AND INFORMATION CONTAINED IN IT ARE CONFIDENTIAL, AND CANNOT BE COPIED OR DISCLOSED IN WHOLE OR IN PART WITHOUT THE EXPRESS WRITTEN CONSENT OF YASKAWA AMERICA, INC.	DRAWING #: DD.IQPM.FR14.N1	

MINIMUM INSTALLATION CLEARANCES (SCALE 1:5)



NOTE:
FOR SIDE-BY-SIDE MOUNTING
CONSULT MANUAL

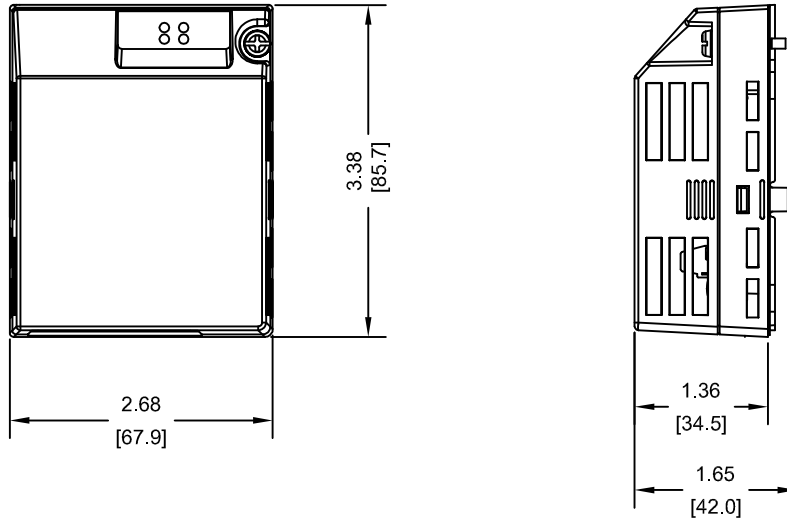
PANEL CUTOUT FOR EXTERNAL HEATSINK
MOUNTING CONFIGURATION (SCALE 1:6)



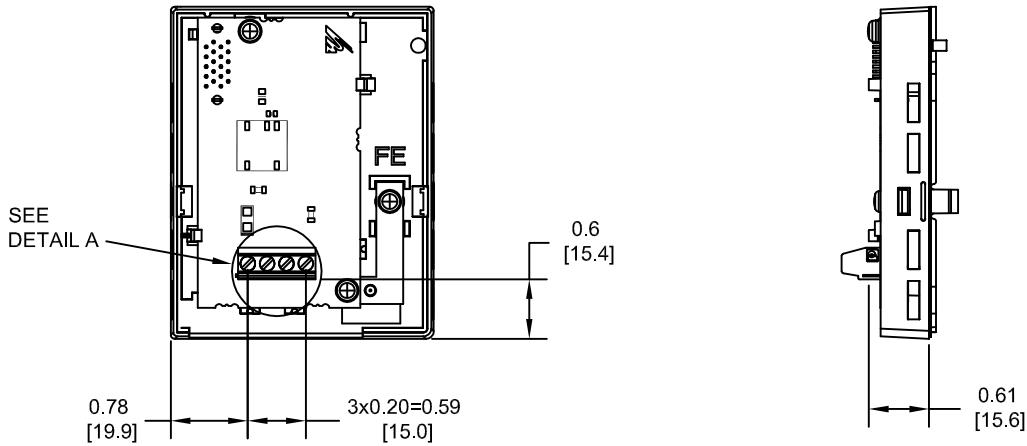
NOTES:
1. EXTERNAL HEATSINK
CONFIGURATION REQUIRES
MOUNTING KIT
2. EXPOSED HEATSINK
RECOMMENDED CLEARANCE
D=2.36" MINUS PANEL THICKNESS

TOLERANCES / REFERENCES:			DRAWN: J. MATTAS	DATE 10-29-14	TITLE: IQ PUMP MICRO DIMENSION DRAWING FRAME SIZE 14 NEMA TYPE 1 ENCLOSURE 2V0030F, 2V0040F, 4V0018F, 4V0023F	
			CHECKED: J. PIOTROWSKI	DATE 10-31-14		
UNITS: IN[mm] SCALE: BY VIEW		THIS DOCUMENT AND INFORMATION CONTAINED IN IT ARE CONFIDENTIAL, AND CANNOT BE COPIED OR DISCLOSED IN WHOLE OR IN PART WITHOUT THE EXPRESS WRITTEN CONSENT OF YASKAWA AMERICA, INC.		TECH: J. BORJA	DATE 11-3-14	
		APPROVED: J. CAIRO	DATE 11-18-14	SIZE A	REVISION R00	PAGE 3 of 4
		ORIGINAL DESIGN: -	DATE -	DRAWING #: DD.IQPM.FR14.N1		

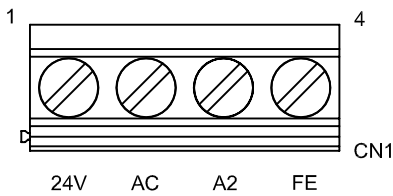
24V OPTION KIT (SCALE 1:2)



24V OPTION KIT (SCALE 1:2)
COVER REMOVED



DETAIL A (SCALE 2:1)



24V OPTION KIT - SPECIFICATIONS

TERMINAL SCREW	CLAMPING TORQUE lb.in.(N.m.)	WIRE RANGE AWG(mm ²)	OPTION KIT WEIGHT LBS(Kg)
M3	4.4 TO 5.3 (0.5 TO 0.6)	30-14 (0.05-2.0)	0.1 (0.05)

TOLERANCES / REFERENCES:			DRAWN: J. MATTAS	DATE 10-29-14	TITLE: IQ PUMP MICRO DIMENSION DRAWING FRAME SIZE 14 NEMA TYPE 1 ENCLOSURE 2V0030F, 2V0040F, 4V0018F, 4V0023F		
UNITS: IN[mm]			SCALE: BY VIEW	CHECKED: J. PIOTROWSKI		DATE 10-31-14	
THIS DOCUMENT AND INFORMATION CONTAINED IN IT ARE CONFIDENTIAL, AND CANNOT BE COPIED OR DISCLOSED IN WHOLE OR IN PART WITHOUT THE EXPRESS WRITTEN CONSENT OF YASKAWA AMERICA, INC.		TECH: J. BORJA	DATE 11-3-14	SIZE A		REVISION R00	PAGE 4 of 4
		APPROVED: J. CAIRO	DATE 11-18-14	DRAWING #: DD.IQPM.FR14.N1			
		ORIGINAL DESIGN:	-	DATE	-		